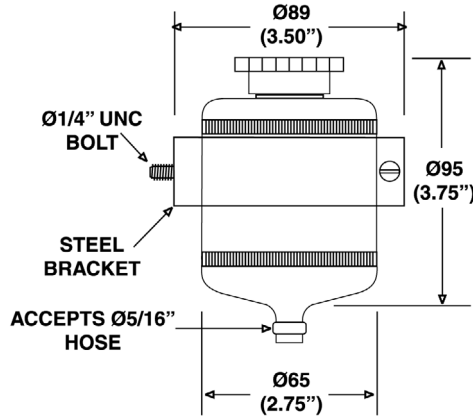
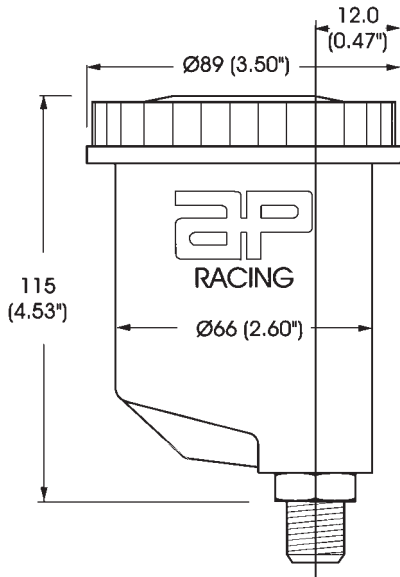
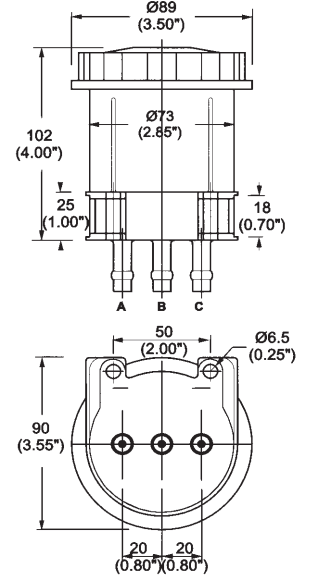


AP Reservoir Installation Dimension Drawings



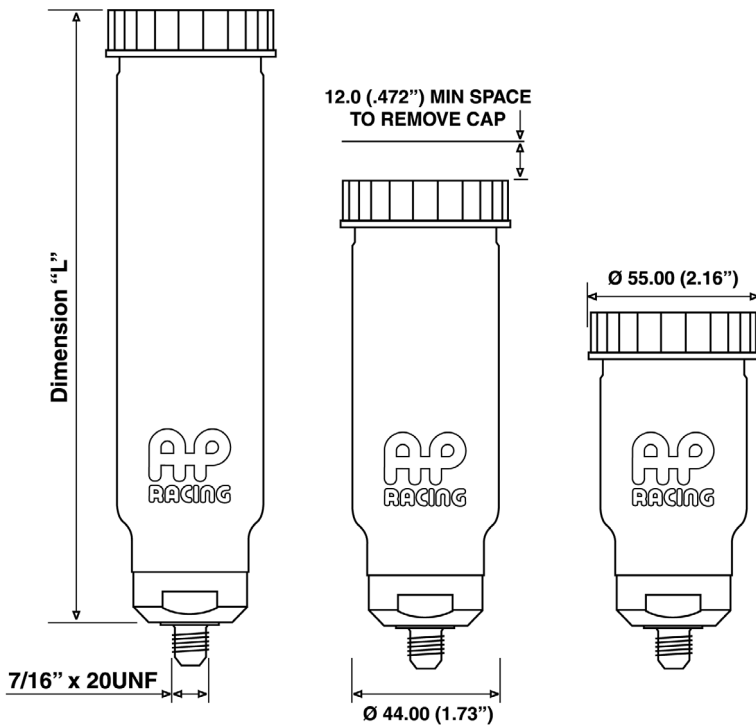
112009 RESERVOIR



CP2293-141/-143 & CP4623-7/-8 TYPE RESERVOIR

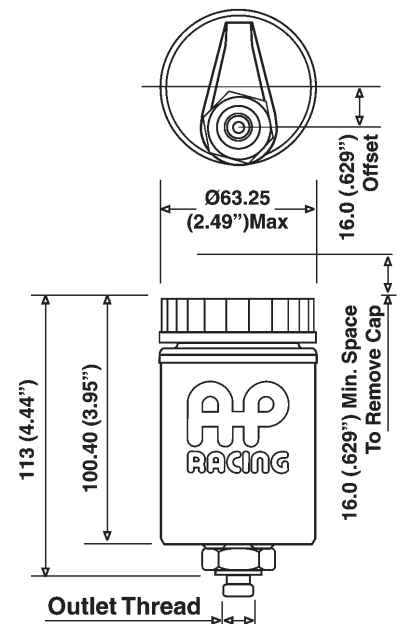
NOTE: Reservoirs CP2293-69 and 4342-372 have a single outlet (middle outlet in drawing). Reservoirs CP2293-85 and 4342-355 have two outlets (the two outermost outlets in the drawing).

CP2293-69 & CP4342-372 RESERVOIR



CP4709 TYPE RESERVOIR (See chart below for full part number)

Part Number	Size Type	Volume CC (oz)	Length mm (")	Thread Size "M"
CP4709-10	Tall	183 (6.18)	169.0 (6.65)	15/16" x 20 UNS
CP4709-11	Medium	123 (4.16)	119.0 (4.68)	15/16" x 20 UNS
CP4709-12	Short	75 (2.53)	79.0 (3.11)	15/16" x 20 UNS
CP4709-13	Short	75 (2.53)	96.0 (3.77)	7/16" x 20 UNF
CP4709-14	Medium	123 (4.16)	136.0 (5.35)	7/16" x 20 UNF
CP4709-15	Tall	183 (6.18)	186.00 (7.32)	7/16" x 20 UNF



CP4773 TYPE RESERVOIR